


# Keystone Clip black with 3,5mm Stereo cable 0,2m, Female - Female

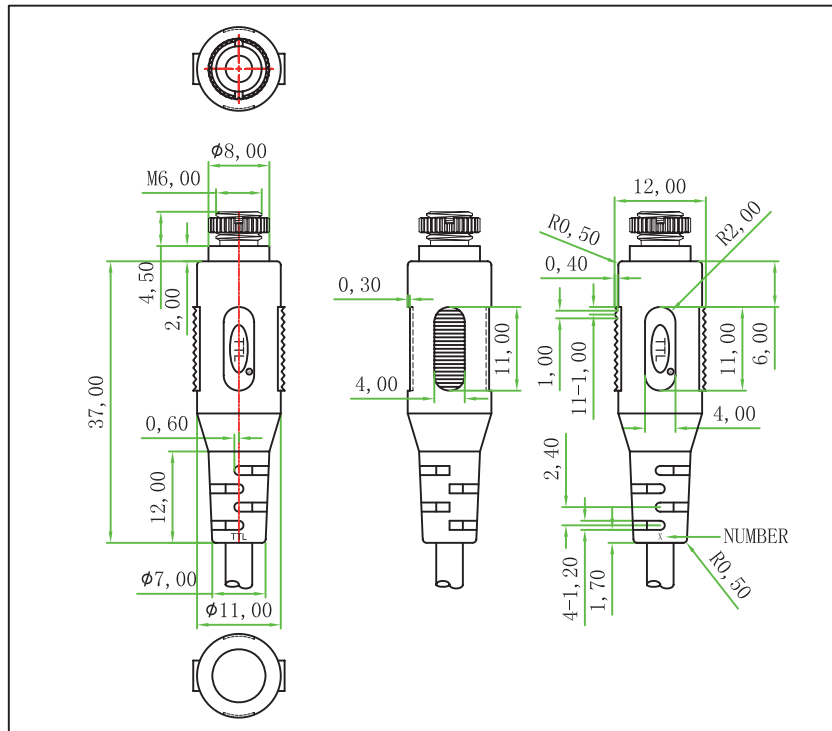
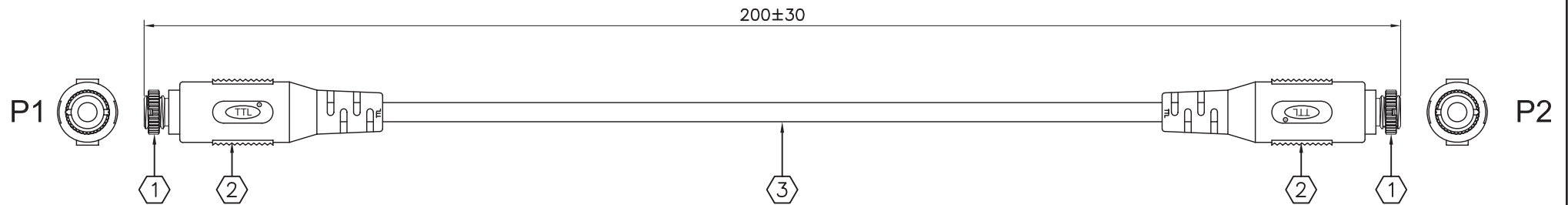


PS-KS-KB3S/KB3S-0,2M = black

PS-KS-KB3S/KB3S-0,2M-WS = white

Date: 08.04.2016	AB	
Edited by: 08.04.2016	AB	
Checked by: 08.04.2016	FM	
Revision:		Part number: PS-KS-KB3S/KB3S-0,2M
Keystone Clip (color) with 3,5mm Stereo cable, length 0,2m, Female to Female		

MATERIAL ARE RoHS AND CALIFORNIA PROP.65 COMPLIANT



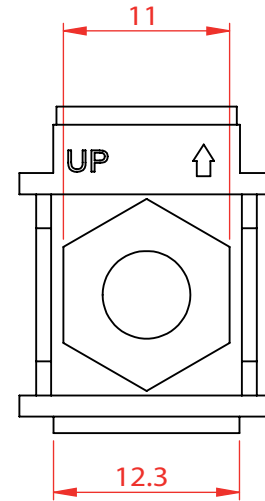
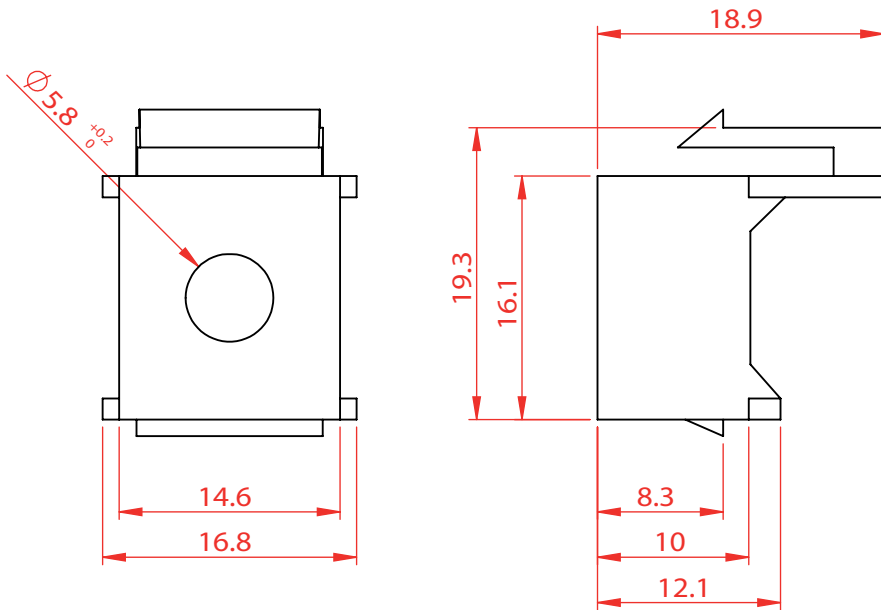
PINOUT CONFIGURATION

P1	P2
1	1
2	2
3	DRAIN

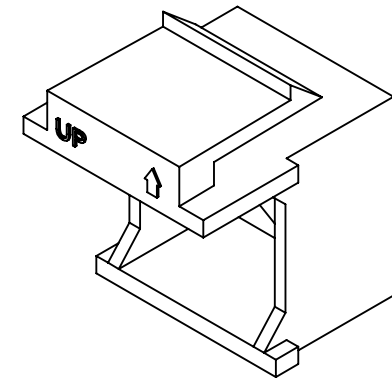
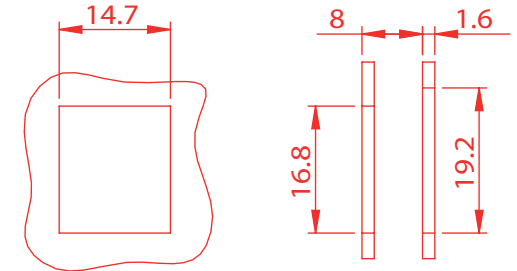
UNIT: mm

ITEM	DESCRIPTION	QTY.	UNIT
1	Ø3.5mm STEREO JACK CHASIS MOUNT	2	PCS.
2	BLACK MOLDED PVC HOOD	2	PCS.
3	28AWGx2C+AL-FOIL+DRAIN; BLACK PVC JACKET	SEE	DWG.

Date:	08.04.2016	AB	 <b>EVN</b> electronic components GmbH MEDIA TECHNOLOGY
Edited by:	08.04.2016	AB	
Checked by:	08.04.2016	FM	
Revision:			
			<b>Part number:</b> PS-KS-KB3S/KB3S-0,2M
Keystone Clip (color) with 3,5mm Stereo cable, length 0,2m, Female to Female			



SUGGESTED MOUNTING CUTOUT




**MATERIAL**

HOUSING :ABS,UL94V-0.

**PHYSICAL CHARACTERISTICS**

OPERATING TEMPERATURE RANGE : -10 °C TO 60 °C.  
 STORAGE TEMPERATURE RANGE : -40 °C TO 68 °C.  
 HUMIDITY : 10%~90%RH.



Date:	08.04.2016	AB	 <b>EVN</b> electronic components GmbH MEDIA TECHNOLOGY
Edited by:	08.04.2016	AB	
Checked by:	08.04.2016	FM	
Revision:			
		<b>Part number:</b> PS-KS-KB3S/KB3S-0,2M	
Keystone Clip (color) with 3,5mm Stereo cable, length 0,2m, Female to Female			