

#### ELECTRICAL

CONTACT RESISTANCE: 30mohm max.(INITIAL)  
 INSULATION RESISTANCE: 100Mohm min. AT 500V DC.  
 WITHSTANDING VOLTAGE: 500V AC FOR ONE MINU  
 SOLDERING HEAT TEST: 260±5°C FOR 5±1 SECONDS.  
 INSERTION FORCE: 0.5~4.5 KG.  
 EXTRACTION FORCE: 0.4~3.5 KG.  
 LIFE TIME: 5,000 CYCLES min.

#### MATERIAL

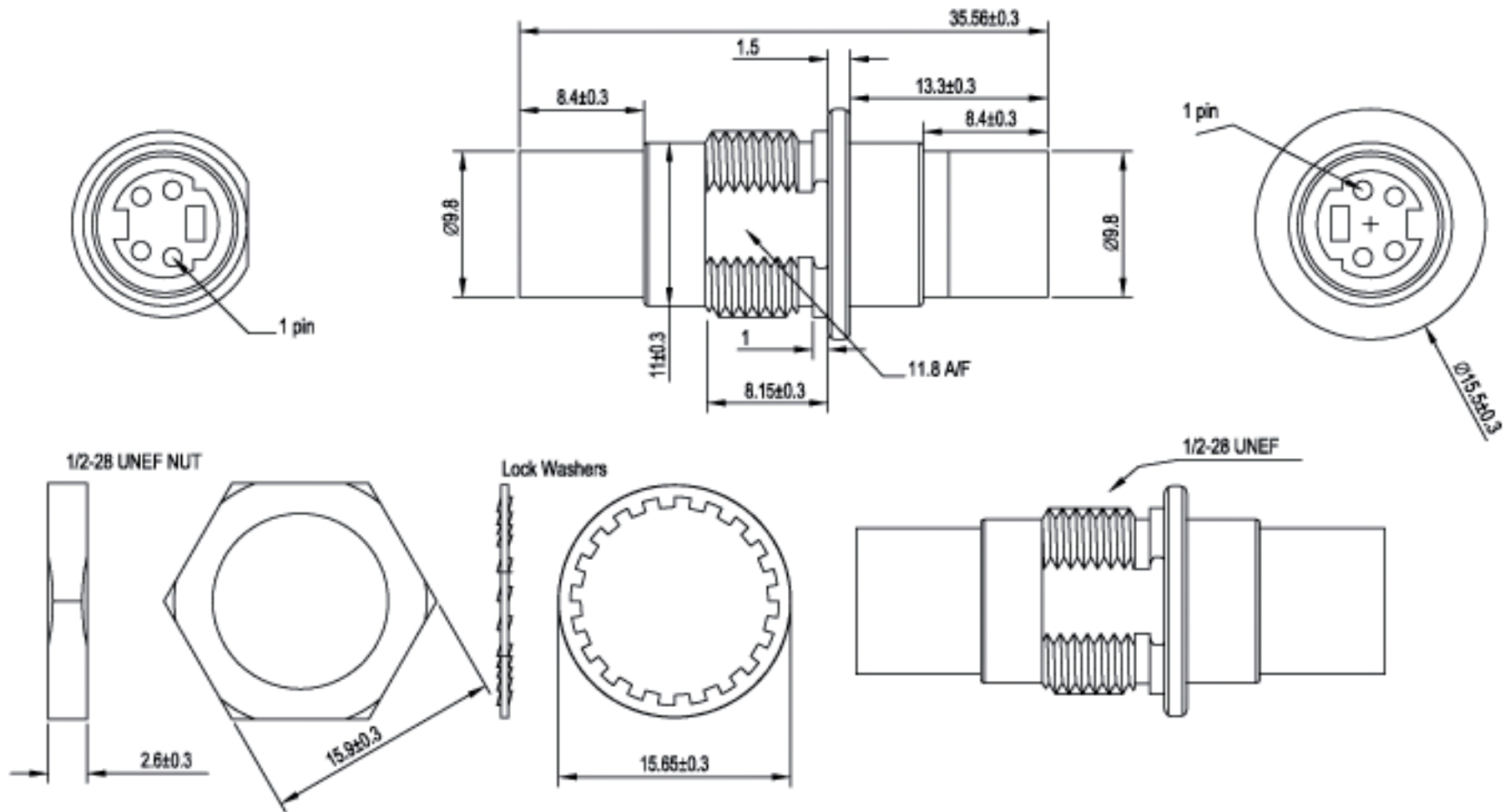
Housing: ABS  
 COLOR: WHITE/BLACK,IVORY  
 Temperature: -40°C ~ 68°C  
 Humidity: 10% ~ 90% RH

PS-KS-MD4FF-XX

SW = black  
 WS = white

Date: 09.08.2016	AB	
Edited by: 09.08.2016	AB	
Checked by: 09.08.2016	FM	
Revision:		
		Part number: PS-KS-MD4FF-XX


Keystone (color) with Mini-DIN-Coupler  
 Female - Female 4pole



1. BRASS CONTACTS ARE GOLD PLATED OVER NICKEL
2. THE INSULATOR IS GLASS-FIBRE PBT, UL-94VO
3. THE HOUSING NICKEL PLATED
4. COPPER ALLOYS CONSTRUCTION PROVIDES 100% SHIELDING

#### PIN ASSIGNMENT

MINIDIN	MINIDIN
1-----	1
2-----	2
3-----	3
4-----	4
G-----	G

Date: 09.08.2016	AB	
Edited by: 09.08.2016	AB	
Checked by: 09.08.2016	FM	
Revision:		
		Part number: PS-KS-MD4FF-XX

Keystone (color) with Mini-DIN-Coupler  
Female - Female 4pole