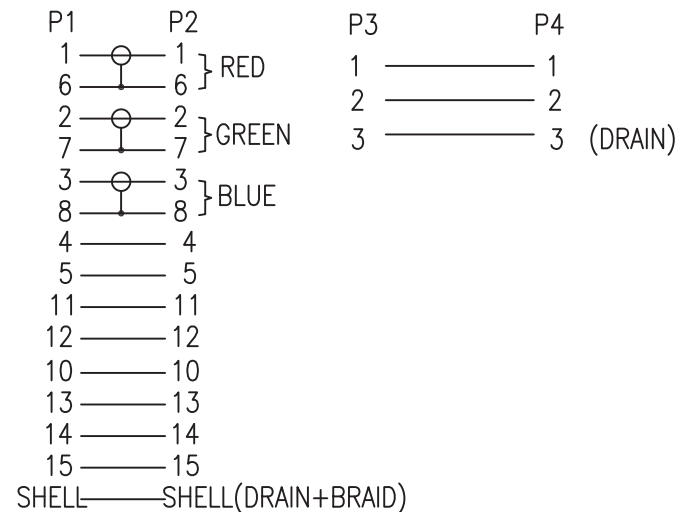


NOTE:

1. CABLE 1: UL20276, [32AWG X 3COAX, EACH COAX SPIRAL SHIELDED)+30AWG X 11C AL-FOIL AND BRAID(AL.) WITH DRAIN, BLACK PVC JACKET, OD:ø5.3±0.15MM.
CABLE 2: NON UL, 28AWG*2C+DRAIN+AL/MY, BLACK PVC JACK, OD 2.5±0.15MM.
2. CONNECTOR: P1 & P1: HIGH DENSITY D-SUB 15 PIN MALE: SOLDER TYPE, GOLD FLASH CONTACTS, NICKEL PLATED SHELL. P3 & P4:ø0,3MM STEREO PLUG, NICKEL PLATED.
3. THUMB SCREW TO BE MOLDED.
4. SHIELDED: COPPER FOIL TAPE COVER PREMOLD AND 360° SOLDER TO CONNECTOR SHELL AND CABLE BRAID.
5. ALL HOOD: MOLDED BLACK(TNT-BK)PVC.
6. 100% ELECTRICAL TESTING.

PIN OUT



Mini VGA + Audio cable Male - Male, black

Mini VGA + Audio Kabel Stecker - Stecker, schwarz

P/N	L
CK-VGA-T-010MINI	1,0M
CK-VGA-TS-020MINI	2,0M
CK-VGA-TS-030MINI	3,0M



WEEE-Reg.-Nr. DE 38986660

Date:
18.08.2022

SP

Checked by:
18.08.2022

FM

Datasheet:

CK-VGA-T-XXXMINI

