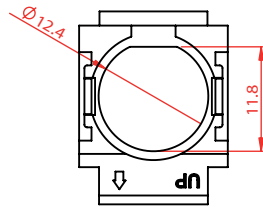
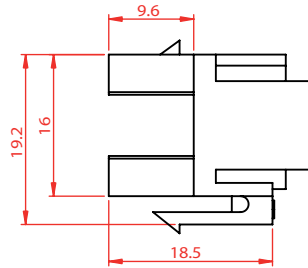
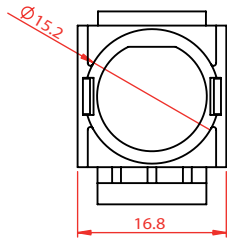
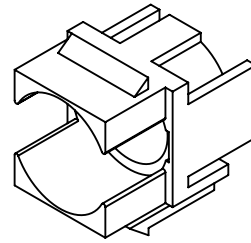
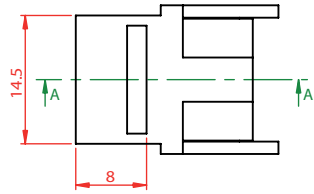


剖面圖 A-A
比例 2 : 1

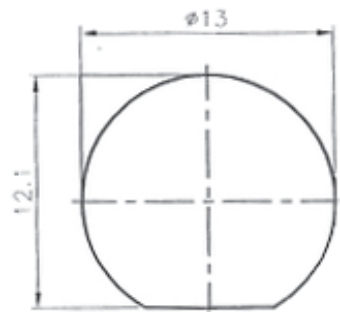


MATERIAL

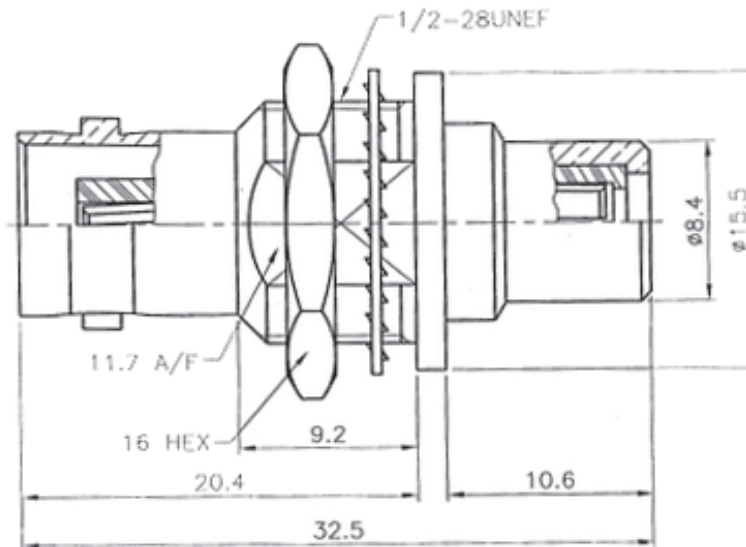
HOUSING : ABS high-impact UL94V-0 thermoplastic

PHYSICAL CHARACTERISTICS

OPERATING TEMPERATURE RANGE : -10 °C TO 60 °C
 STORAGE TEMPERATURE RANGE : -40 °C TO 68 °C
 HUMIDITY : 10%~90%RH




RECOMMENDED
MOUNTING HOLE
(建議安裝孔)



PS-KS-BNC-RCA-XX

- BL = blue
- GE = yellow
- GN = green
- RT = red
- WS = white
- SW = black

Date: 03.05.2016	AB	
Edited by: 03.05.2016	AB	
Checked by: 03.05.2016	FM	
Revision:		
		Part number: PS-KS-BNC-RCA-XX

Keystone Clip with Front BNC-Female,
Rear Cinch-Female