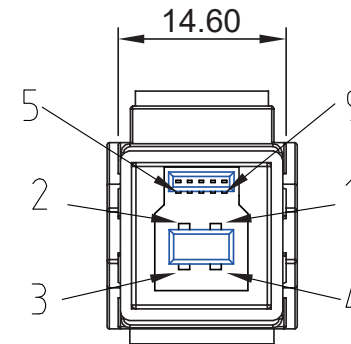
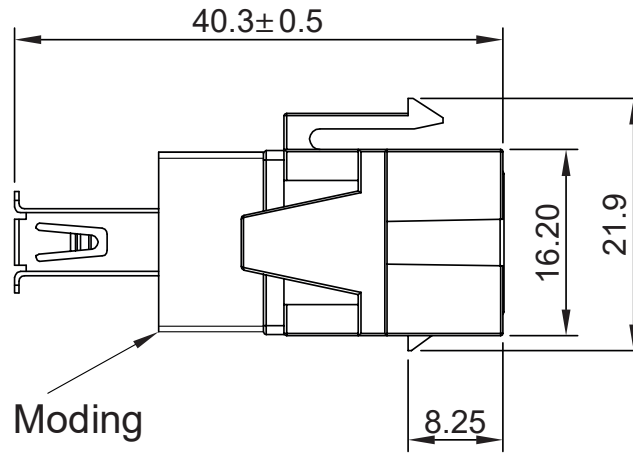
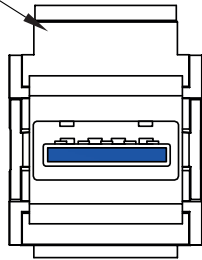


Shell



NOTE:

- 1.ELECTRICAL CHARACTERISTICS;
 - 2.1 CONTACT RESISTANCE:30m MAXIMUM
 - 2.2 CONTACT CURRENT RATING:1.5A
 - 2.3 DIELECTRIC WITHSTANDING VOLTAGE:100VR.M.S.
 - 2.4 INSULATION RESISTANCE 100 MEGOHMS MIN
 - 2.5 OPERATING TEMPERATURE:-40 °C ~ 85°C
- 2.MECHANICAL CHARACTERISTICS:
 - 3.1 MATING FORCE:3.57kg MAX
 - 3.2 UNMATED FORCE:1.02kg MIN INITIAL/0.82kg MIN AFTER TEST.
 - 3.3 DURABILITY:1,500 CYCLES MIN
- 3.PLATING
 - TERMINAL:50u" MIN NICKEL ALL OVER 80u"MIN Tin
 - ON SOLDER AREA(1~30)u" Au ON CONTACT AREA
 - SHELL:NICEL PLATED
- 4. Material:
 - 4.1 Shell :UL 94V0 ABS
 - 4.2 Moding:UL PVC

CONDUCT WIRE CONNECT

USB 3.0 AF	USB 3.0 BF
1	1
2	2
3	3
4	4
5	5
6	6
7	7
8	8
9	9
SHELL	SHELL



UNINDICTED TOLERANCE:±0.15

Keystone Clip, USB3.0 Coupler, Front: Type B Female, Rear: Type A Female

Partnumber
PS-KS-USB3.0BA-SW
PS-KS-USB3.0BA-WS

color
black
white



WEEE-Reg.-Nr. DE 38986660

Date:
14.12.2023

Checked by:
14.12.2023

Datasheet:

AB

FM



PS-KS-USB3.0BA-XX