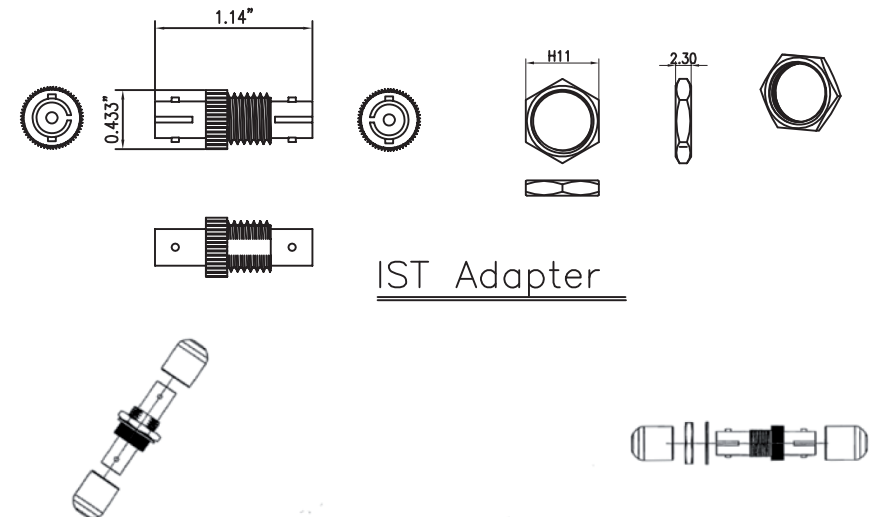
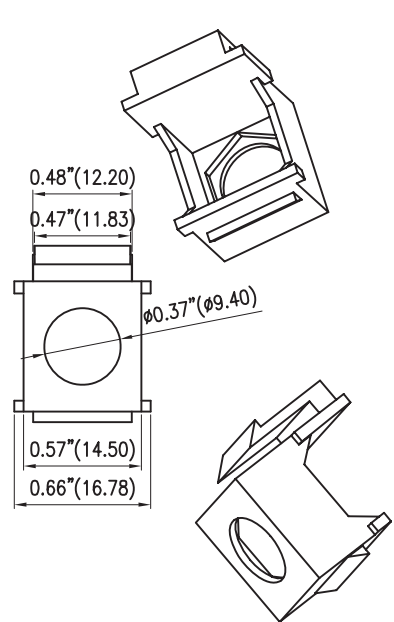
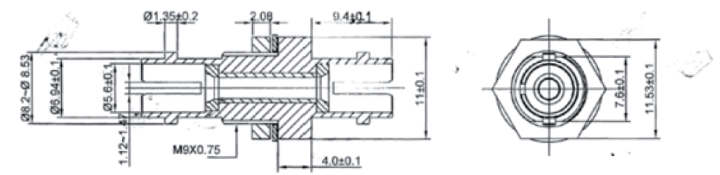


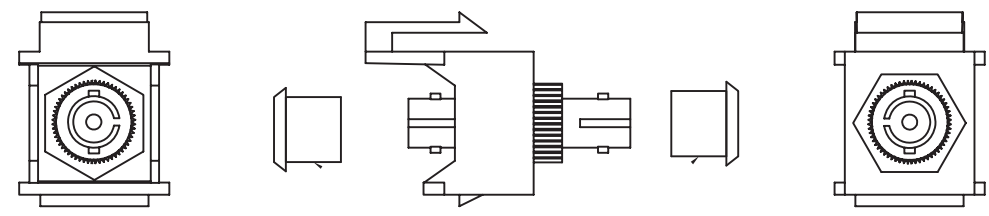
MODULE DRAWING



IST Adapter



IST Adapter Section size diagram



SPECIFICATION:

SNAP IN MODULE
ST adapter multi-mode, mini snap in type

PS-KS-STMM-XX
SW = black
WS = white



Keystone Clip (color) with LWL Coupler Type ST Multi-Mode <i>Keystone-Clip (Farbe) mit LWL-Koppler Typ ST Multi-Mode</i>	 WEEE-Reg.-Nr. DE 38986660	Date: 13.07.2022	SP	 EVN electronic components GmbH MEDIA TECHNOLOGY
		Checked by: 13.07.2022	FM	
Datasheet:	PS-KS-STMM-XX			

Note: Technical modifications reserved; no responsibility is accepted for the accuracy of this information.