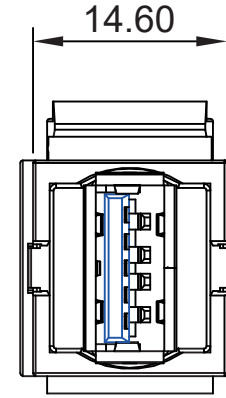
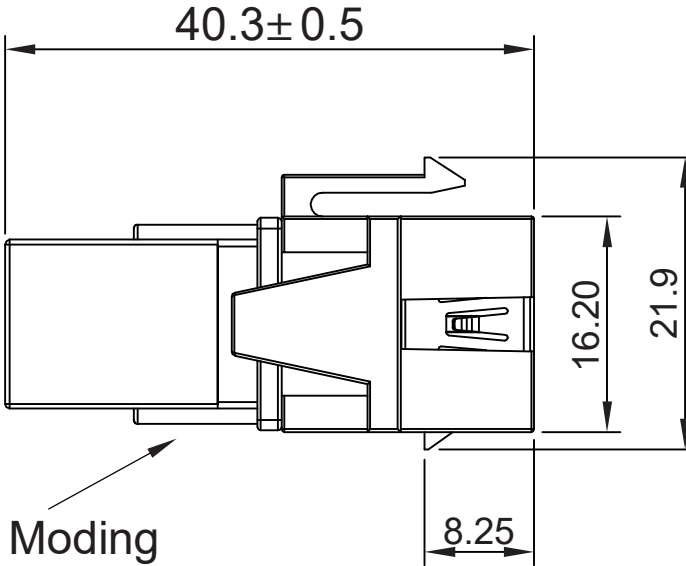
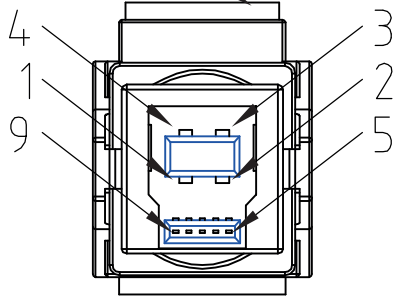


Shell



NOTE: CONDUCT WIRE CONNECT

- 1.ELECTRICAL CHARACTERISTICS;
- 2.1 CONTACTRESISTANCE:30m MAXIMUM
- 2.2 CONTACT CURRENT RATING:1.5A
- 2.3 DIELECTRIC WITHSTANDING VOLTAGE:100VR.M.S.
- 2.4 INSULATION RESISTANCE 100 MEGOHMS MIN
- 2.5 OPERATING TEMPEROTURE:-40 °C ~ 85°C

2.MECHANICAL CHARACTERISTICS:

- 3.1 MATING FORCE:3.57kg MAX
- 3.2 UNMATED FORCE:1.02kg MIN INITIAL/0.82kg MIN AFTER TEST.
- 3.3 DURABILITY:1,500 CYCLES MIN

3.PLATING

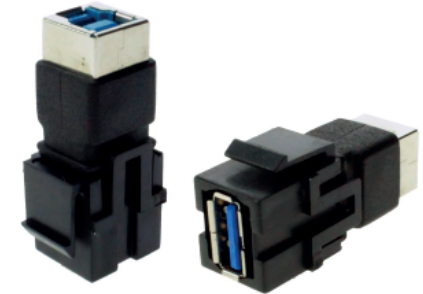
TERMINAL:50u" MIN NICKEL ALL OVER 80u"MIN Tin ON SOLDER AREA(1~30)u" Au ON CONTACT AREA

4. Material:

- 4.1 Shell :UL 94V0 ABS
- 4.2 Moding:UL PVC

CONDUCT WIRE CONNECT

USB 3.0 AF	USB 3.0 BF
1	1
2	2
3	3
4	4
5	5
6	6
7	7
8	8
9	9
SHELL	SHELL



UNINDICTED TOLERANCE:±0.15

Keystone Clip, USB3.0 Coupler, Front: Type A Female, Rear: Type B Female

Partnumber
PS-KS-USB3.0AB-SW
PS-KS-USB3.0AB-WS

color
black
white



WEEE-Reg.-Nr. DE 38986660

Date:
14.12.2023

Checked by:
14.12.2023

Datasheet:

AB

FM



PS-KS-USB3.0AB-XX