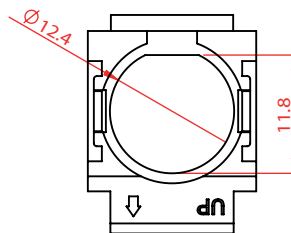
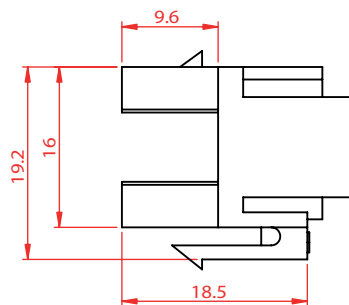
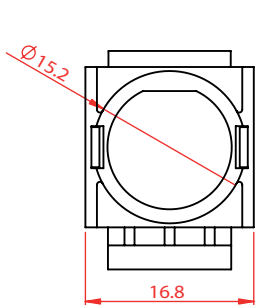
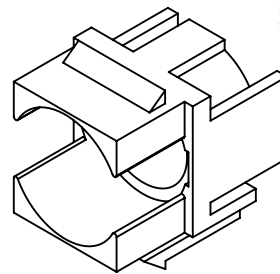
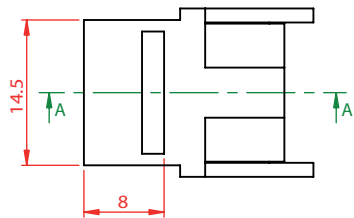


剖面圖 A-A
比例 2 : 1



MATERIAL

HOUSING : ABS high-impact UL94V-0 thermoplastic

PHYSICAL CHARACTERISTICS

OPERATING TEMPERATURE RANGE : -10 °C TO 60 °C
 STORAGE TEMPERATURE RANGE : -40 °C TO 68 °C
 HUMIDITY : 10%~90%RH

Keystone (color) with PAL Coupler
 Female - Female
 Keystone (Farbe) mit PAL-Kupplung
 Buchse - Buchse

Available Colors Verfügbare Farben:	 schwarz / black PS-KS-PALFF-SW	 weiß / weiss PS-KS-PALFF-WS
----------------------------------------	-----------------------------------------------------------------------------------------------------------------------	--------------------------------------------------------------------------------------------------------------------



WEEE-Reg.-Nr. DE 38986660

Date: 10.08.2022	SP
Checked by: 10.08.2022	FM
Datasheet:	PS-KS-PALFF-XX

