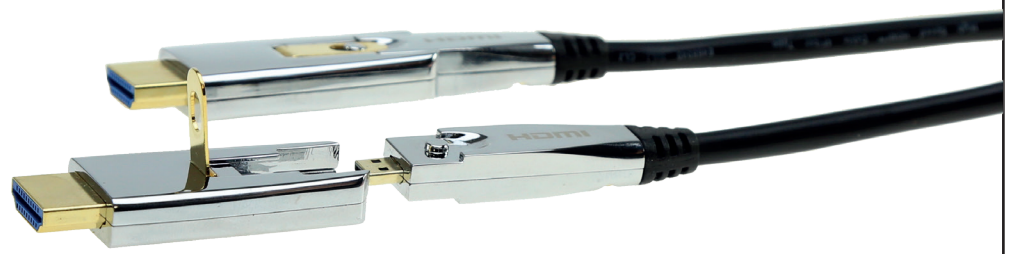


10	Cable Spec:{{(50 / 125um+Fiber*4C+MID)*1C+(7/0.08T*3C +19/0.08T*1C+F+D +AL)}} OD=4.8±0.2mm Black PVC Jacket
9	HDMI D/Male Zinc Alloy Shell*(Lower Cover "DISPLAY"Logo)
8	HDMI D/Male Zinc Alloy Shell*(Lower Cover "SOURCE"Logo)
7	HDMI D/Male Zinc Alloy Shell*(Loam Cake "HDMI"Logo)
6	HDMI A/Male Zinc Alloy Shell*(Screw*2Pcs+Metal Sheet+Copper Sheet)
5	Black PVC 45P SR
4	HDMI D/Male:Gold-Plated Copper Shell / Pin Gold :G/F
3	HDMI D/Fmale to HDMI A/Male adapter:Gold-Plated Copper Shell / Pin Gold :G/F
2	HDMI A/Male:Gold-Plated Copper Shell / Pin Gold :G/F+HDMI 2.0 AOC PCBA "RX"
1	HDMI A/Male:Gold-Plated Copper Shell / Pin Gold :G/F+HDMI 2.0 AOC PCBA "TX"
ITEM	SPECIFICATION

ELECTRIC TESTING:
 1):100% FUNCTION TESTING
 2):HDMI Host Computer Connected 4K*2K HDTV,
 Resolution: 3840*2160@60Hz



AOC HDMI cable set incl. 2 adapter to type A male	<table border="1"> <thead> <tr> <th>PART No</th> <th>LENGTH(L)</th> </tr> </thead> <tbody> <tr> <td>CK-AOCH-10M</td> <td>10000±100</td> </tr> <tr> <td>CK-AOCH-20M</td> <td>20000±100</td> </tr> <tr> <td>CK-AOCH-30M</td> <td>30000±100</td> </tr> <tr> <td>CK-AOCH-50M</td> <td>50000±100</td> </tr> <tr> <td>CK-AOCH-100M</td> <td>100000±100</td> </tr> </tbody> </table> <p>*other lenghts on request</p>	PART No	LENGTH(L)	CK-AOCH-10M	10000±100	CK-AOCH-20M	20000±100	CK-AOCH-30M	30000±100	CK-AOCH-50M	50000±100	CK-AOCH-100M	100000±100
PART No	LENGTH(L)												
CK-AOCH-10M	10000±100												
CK-AOCH-20M	20000±100												
CK-AOCH-30M	30000±100												
CK-AOCH-50M	50000±100												
CK-AOCH-100M	100000±100												
AOC HDMI Kabel Set inkl. 2 Adapter auf Typ A Stecker													

<p>WEEE-Reg.-Nr. DE 38986660</p>	Date: 10.08.2022	SP	<p>electronic components GmbH MEDIA TECHNOLOGY</p>
	Checked by: 10.08.2022	FM	
Datasheet:	CK-AOCH-XXXM		

Note: Technical modifications reserved; no responsibility is accepted for the accuracy of this information.

PIN ASSIGNMENT

TYPE D PIN		Signal Name		TYPE D PIN
3	HDMI 2.0 PCBA (TX)	TMDS DATA2+	HDMI 2.0 PCBA (RX)	3
4		TMDS DATA2 SHIELD		4
5		TMDS DATA2-		5
6		TMDS DATA1+		6
7		TMDS DATA1 SHIELD		7
8		TMDS DATA1-		8
9		TMDS DATA0+		9
10		TMDS DATA0 SHIELD		10
11		TMDS DATA0-		11
12		TMDS CLOCK+		12
13		TMDS CLOCK SHIELD		13
14		TMDS CLOCK-		14
15		CEC		15
2		RESERVED (IN CABLE BUT N.C. ON DEVICE)		2
17		SCL		17
18		SDA		18
16		DDC/CEC GROUND		16
19		+5V POWER		19
1		HOT PLUG DETECT		1
20		SHELL		20

PIN ASSIGNMENT

TYPE D PIN	Signal Name	TYPE A PIN
3	TMDS DATA2+	1
4	TMDS DATA2 SHIELD	2
5	TMDS DATA2-	3
6	TMDS DATA1+	4
7	TMDS DATA1 SHIELD	5
8	TMDS DATA1-	6
9	TMDS DATA0+	7
10	TMDS DATA0 SHIELD	8
11	TMDS DATA0-	9
12	TMDS CLOCK+	10
13	TMDS CLOCK SHIELD	11
14	TMDS CLOCK-	12
15	CEC	13
2	RESERVED (IN CABLE BUT N.C. ON DEVICE)	14
17	SCL	15
18	SDA	16
16	DDC/CEC GROUND	17
19	+5V POWER	18
1	HOT PLUG DETECT	19
20	SHELL	20

AOC HDMI cable set incl. 2 adapter to type A male

AOC HDMI Kabel Set inkl. 2 Adapter auf Typ A Stecker



WEEE-Reg.-Nr. DE 38986660

Date:
10.08.2022

Checked by:
10.08.2022

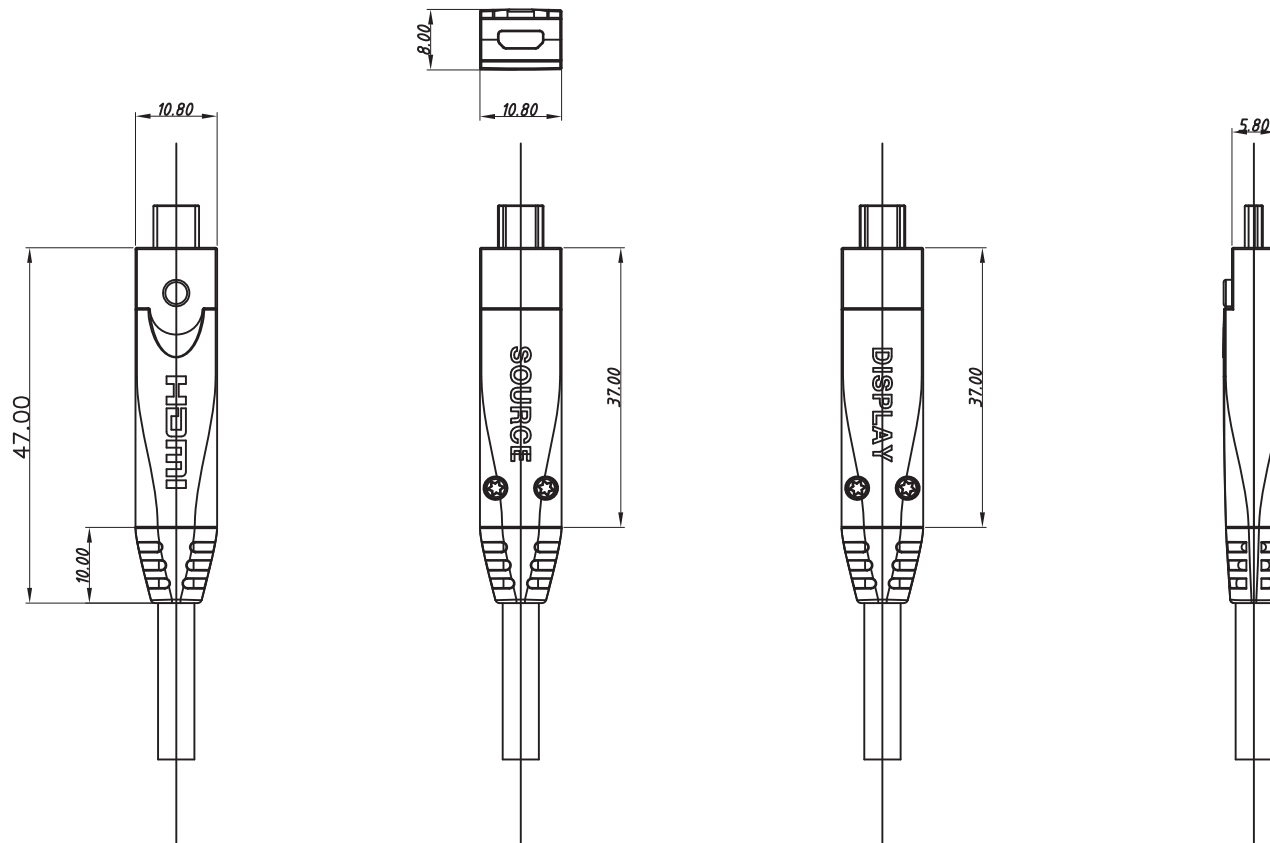
Datasheet:

SP

FM



CK-AOCH-XXXM



AOC HDMI cable set incl. 2 adapter to type A male

AOC HDMI Kabel Set inkl. 2 Adapter auf Typ A Stecker



WEEE-Reg.-Nr. DE 38986660

Date:
10.08.2022

Checked by:
10.08.2022

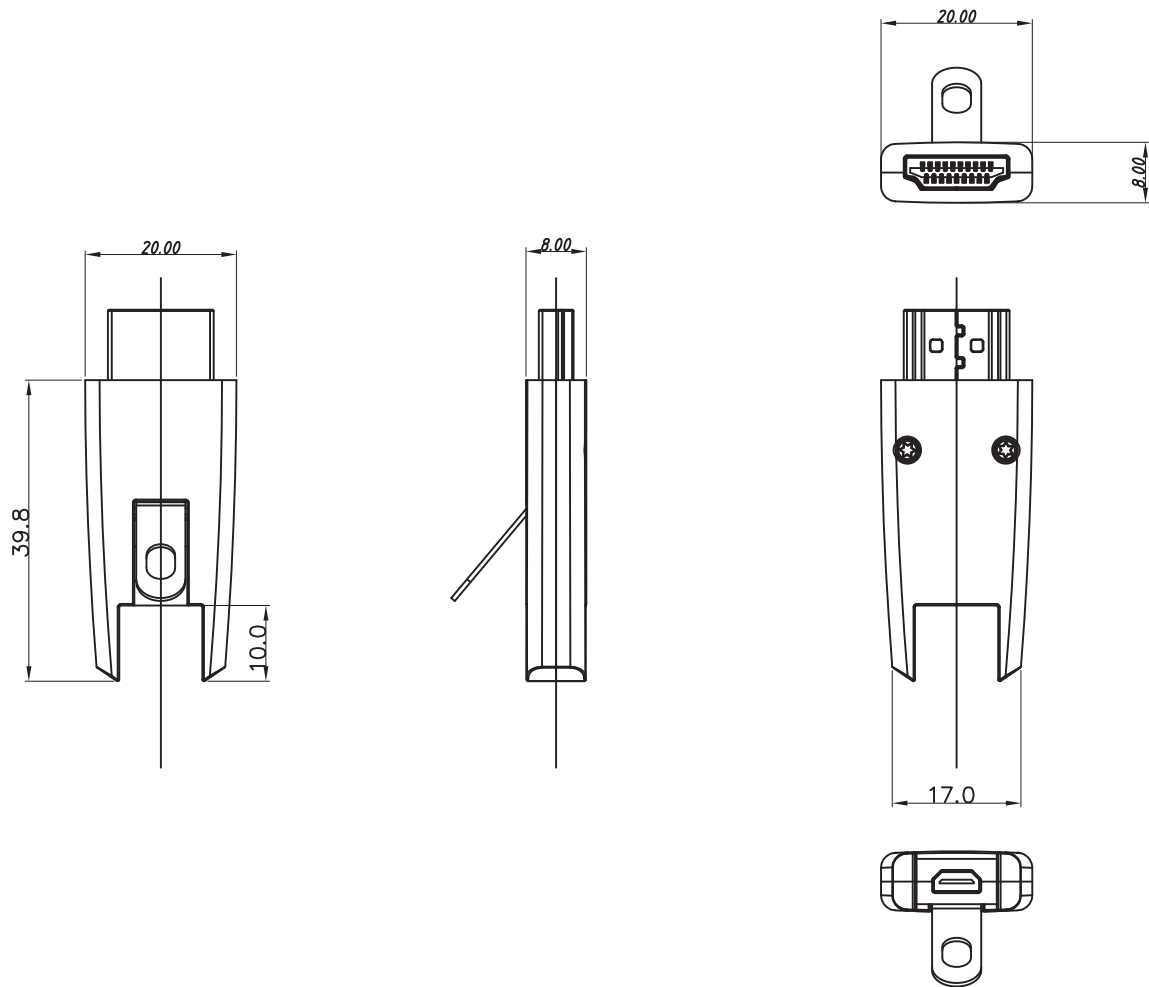
Datasheet:

SP

FM



CK-AOCH-XXXM



AOC HDMI cable set incl. 2 adapter to type A male

AOC HDMI Kabel Set inkl. 2 Adapter auf Typ A Stecker



WEEE-Reg.-Nr. DE 38986660

Date:
10.08.2022

SP

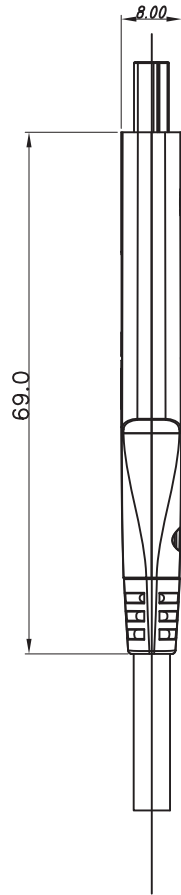
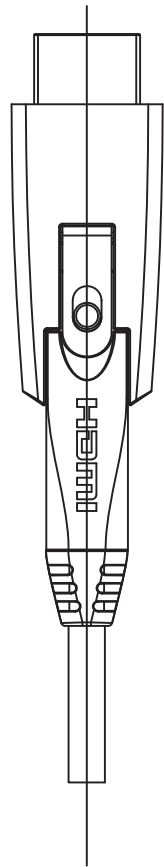
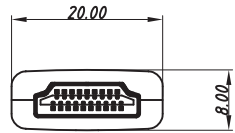
Checked by:
10.08.2022

FM

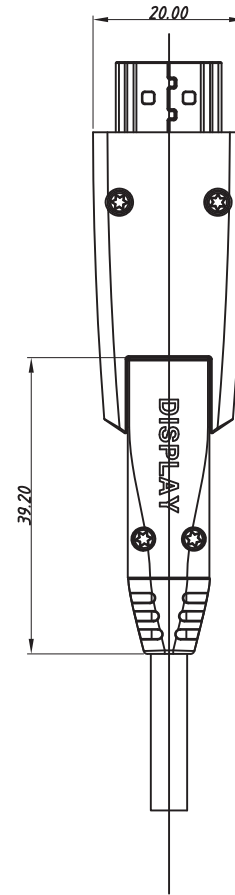
Datasheet:

CK-AOCH-XXXM





LEO



AOC HDMI cable set incl. 2 adapter to type A male

AOC HDMI Kabel Set inkl. 2 Adapter auf Typ A Stecker



WEEE-Reg.-Nr. DE 38986660

Date:
10.08.2022

SP

Checked by:
10.08.2022

FM

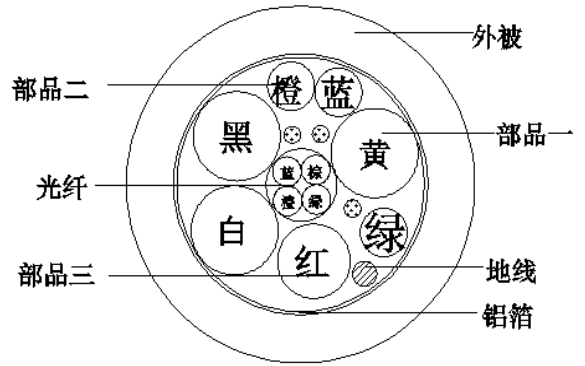
Datasheet:

CK-AOCH-XXXM



Specification: (50/125um FIBER*4C+MD)*1C+7/0.08Tx3C+19/0.08T*3C+41/0.08Tx1C+F+D+AL OD 4.8

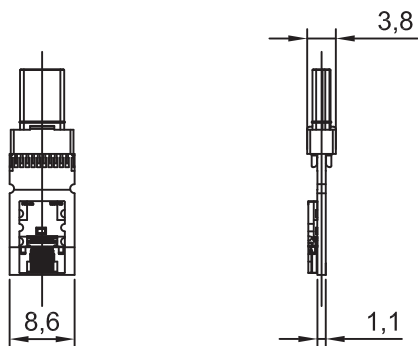
COMPONENT		FIBER	COMPONENT A	COMPONENT B	COMPONENT C
导体(Conductor)	构造(Constitution) AWG/mm	50/125um*4PCS	7/0.08T (32AWG)	19/0.08T (28AWG)	41/0.08T (24AWG)
	材料(Material)	FIBER	TINNED COPPER STRANDED	TINNED COPPER STRANDED	TINNED COPPER STRANDED
	符合外径(Cabling OD) mm	0.24(REF)	0.24(REF)	0.40(REF)	0.60(REF)
绝缘(Insulation)	芯数量(NO of wire)	4C	3	3	1
	芯材料(Material)	PE	FOAM-PE-SKIN	HD-PE	HD-PE
	芯直径(OD) mm	1.0±0.10	1.40±0.05	0.75±0.05	1.1±0.05
	平均厚度(Thickness)mm	0.20(REF)	0.58(REF)	0.175(REF)	0.25(REF)
	颜色(Color)	1.WHITE(BROWN, GREEN, BLUE, ORANGE)	2.WHITE 3.YELLOW 4.BLACK	5.ORANGE 6.BLUE 7.GREEN	8.RED
屏蔽(Shield)	填充(Filler)	FILLER			
	地线(Drain)	7/0.10T (30AWG)			
	箔麦拉(AL/MYLAR)	AL FACE INSIDE			
外被(Jacket)	外被材料(Material)	PVC			
	外被外径(OD) mm	4.8+0/-0.20			
	平均厚度(Thickness)mm	0.50(REF)			
	印字(Marking)	High Speed HDMI™ Cable 4Fiber Type E468040 (UL) CL2 75 32/3 C 28/3C 24/1C E468039 (UL) CMG/FT4 c(UL) 75 32/3C 28/3C 24/1 C			
	硬度(SHORE.A)	SHORE.A 88 ± 3(45P)			
	颜色(Color)	BLACK			



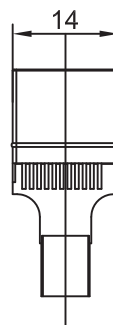
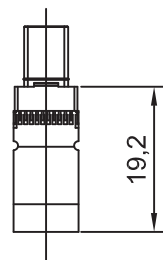
- Electric Characters:**
1. Voltage rating: 30V
 2. Temperature rating: 80°C
 3. Spark test: AC- 1500V/In the air
 4. Dielectric strength: AC-500V/1 sec MIN
 5. Insulation resistance: FOAM-PE/PE DC-500 V 100 MΩ/KM MIN.at 20°C
 6. Conductor resistance: 32AWG-588 Ω /KM MAX at 20°C 28AWG-23 Ω/KM MAX at 20°C 24AWG-9 Ω/KM MAX at 20°C

AOC HDMI cable set incl. 2 adapter to type A male AOC HDMI Kabel Set inkl. 2 Adapter auf Typ A Stecker	WEEE-Reg.-Nr. DE 38986660	Date: 10.08.2022	SP	electronic components GmbH MEDIA TECHNOLOGY
		Checked by: 10.08.2022	FM	
		Datasheet:	CK-AOCH-XXXM	

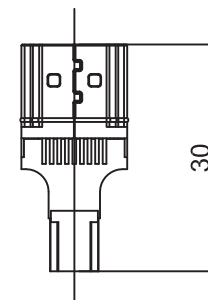
Note: Technical modifications reserved; no responsibility is accepted for the accuracy of this information.



Notes:
HDMI DM AOC OPTIC MODULE



Notes:
HDMI DM TO HDMI AM ADAPTER



AOC HDMI cable set incl. 2 adapter to type A male

AOC HDMI Kabel Set inkl. 2 Adapter auf Typ A Stecker



WEEE-Reg.-Nr. DE 38986660

Date:
10.08.2022

Checked by:
10.08.2022

Datasheet:

SP

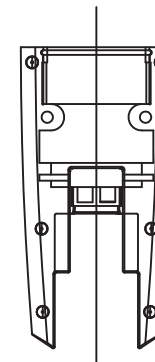
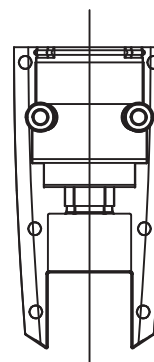
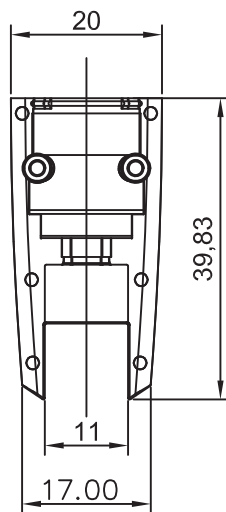
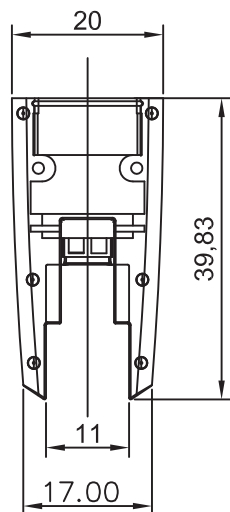
FM



CK-AOCH-XXXM

Upper Shell
P/N: JL326A

Lower Shell
P/N: JL326B



NOTE:

1. SURFACE TREATMENT: die casting - tapping - polishing - electroplating.
2. There are no marks, marks, scratches, burrs and color difference on the surface of the product.
3. The unfilled working difference of the drawing is controlled by + / -0.10mm.
4. Refer to 3D drawing files for detailed dimensions.

AOC HDMI cable set incl. 2 adapter to type A male

AOC HDMI Kabel Set inkl. 2 Adapter auf Typ A Stecker



WEEE-Reg.-Nr. DE 38986660

Date:
10.08.2022

Checked by:
10.08.2022

Datasheet:

SP

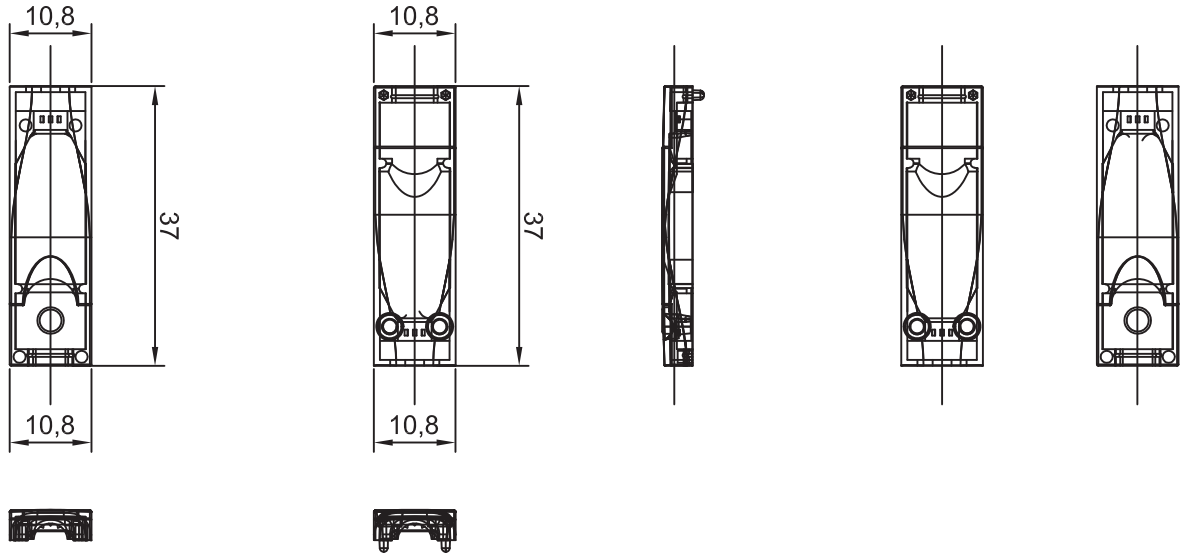
FM



CK-AOCH-XXXM

Upper Shell
P/N: JL327A

Lower Shell
P/N: JL327B



NOTE:

1. SURFACE TREATMENT: die casting - tapping - polishing - electroplating.
2. There are no marks, marks, scratches, burrs and color difference on the surface of the product.
3. The unfilled working difference of the drawing is controlled by + / -0.10mm.
4. Refer to 3D drawing files for detailed dimensions.

AOC HDMI cable set incl. 2 adapter to type A male

AOC HDMI Kabel Set inkl. 2 Adapter auf Typ A Stecker



WEEE-Reg.-Nr. DE 38986660

Date:
10.08.2022

SP

Checked by:
10.08.2022

FM

Datasheet:

CK-AOCH-XXXM

